

## Cim 70WOG

GATE VALVE - STANDARD SERIES - PN 250PSI - NPT THREAD



This article was made in compliance with the quality management requirements of standard ISO 9001:2008. All articles are tested according to the standard EN 12266-1:2003.

It can be used in a wide variety of sectors: heating, air conditioning, water, sanitary systems, oil pipelines, gasoline networks, saturated steam and generally with any non corrosive liquid.

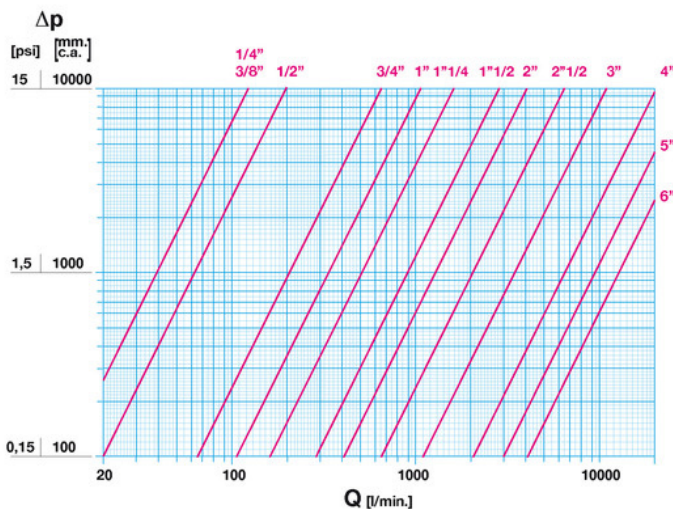
It is guaranteed for 5 years

It is made of a brass alloy that complies with standard EN 12165-CW617N-M.

Nominal Pressure: PN250 psi (1/4" - 4"); PN150 psi (5" and 6")

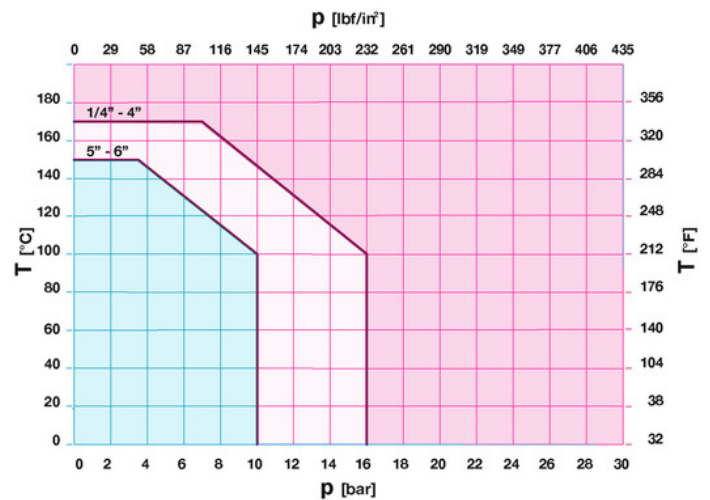
Operating temperature: -10 ÷ 170°C (1/4" ÷ 4"); -10 ÷ 150°C (5" and 6")

### FLOW AND PRESSURE DROP



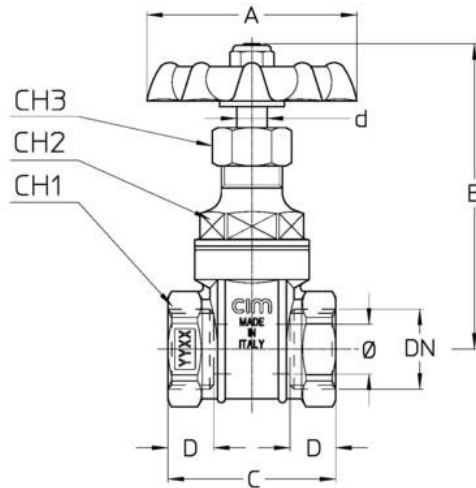
Notes:  
 1 l/min = 0,06 m3/h  
 1 m3/h = 16,67 l/min  
 1 bar = 10.000 mm w.c.  
 1 psi = 690 mm w.c.

### PRESSURE TEMPERATURE RATINGS



Notes:  
 1 bar = 14,5 psi  
 1 bar = 14,5 lbf/in2  
 °C = 5/9 x (°F-32)  
 °F = 32 + (9/5 x °C)

## TECHNICAL DRAWING



DN	1/4"	3/8"	1/2"	3/4"	1"	1"1/4	1"1/2	2"	2"1/2	3"	4"	5"	6"
Φ mm	12	12	13	19	24	32	37	47	59	70	94	118,5	140
<b>Grms.</b>	<b>205</b>	<b>190</b>	<b>245</b>	<b>420</b>	<b>540</b>	<b>770</b>	<b>980</b>	<b>1490</b>	<b>2405</b>	<b>3490</b>	<b>5960</b>	<b>10100</b>	<b>13770</b>
A	50	50	55	60	65	75	80	90	110	120	140	175	175
B	71	72	81	95	104,5	120	134	149	186	266,5	263	318	358
C	40	40	44	48	54	60	64	72	80	85	97	112	120
D	11	11	12	14	15	17	17	20,5	21	22	23,5	28	26
CH1	23	23	27	34	40	50	56	69	85	102	127	155	180
CH2	20	20	24	30	32	32	39	47	55	66	84	114	136
CH3	17	17	18	18	18	21	23	25	30	30	37	45	49
d	7	7	8	8	8	10	10	12	13	14	17	19	21

Thread:  
ANSI B1.20.1 - NPT

## TECHNICAL CHARACTERISTICS

KV													
DN	1/4"	3/8"	1/2"	3/4"	1"	1"1/4	1"1/2	2"	2"1/2	3"	4"	5"	6"
Ø mm	12	12	13	19	24	33	37	47	59	70	94	118,5	140
KV	7	7	12	39	61	96	171	246	372	660	1212	1500	1818

KV = Flow rate in m<sup>3</sup>/h with a pressure drop of 1 bar

## OUR CERTIFICATIONS

